

# CJLINE

400 °C/2h air and smoke extract fan units with linear inlets and outlets



400 °C/2h and 120 °C continuous operation in-line extract fans units for outdoor operation in fire risk zones.

**Fan:**

- Galvanised sheet steel structure.
- Backward curved impeller made of sheet steel.
- Approved in accordance with standard EN 12101-3, with certificate no.: 0370-CPR-0594.
- Linear airflow direction.

**Motor:**

- Class F motors with ball bearings, IP55 protection and with 1 or 2 speeds, depending on model.
- Motors with IE3 efficiency for powers equal to or greater than 0,75 kW, except single-phase, 2-speed and 8-pole.

- Three-phase 230/400 V 50 Hz (up to 4 kW) and 400/690 V 50 Hz (powers greater than 4 kW).
- Maximum temperature of air to be carried: S1 continuous operation -20 °C +120 °C. S2 operation, 300 °C/2h and 400 °C/2h.

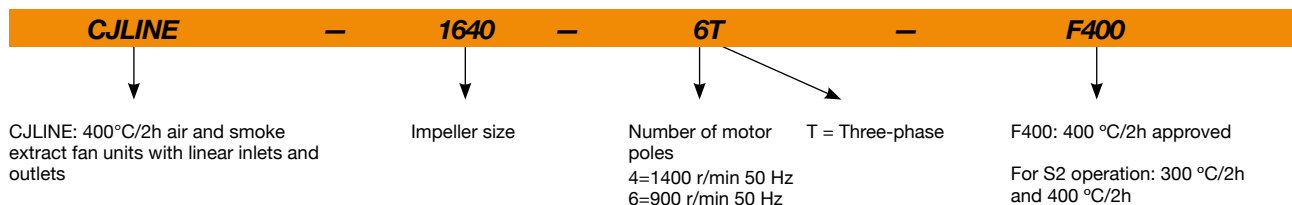
**Finish:**

- Anti-corrosive in galvanized steel sheet.

**On request:**

- Fans with 2 speed motor.

## Order code



## Technical characteristics

Model	Speed (r/min)	Maximum admissible current (A)			Installed power (kW)	Maximum flow rate (m³/h)	Sound pressure level dB (A)	Approx. weight (Kg)
		230V	400V	690V				
CJLINE-1131-4T	1350	1.66	0.96		0.25	2000	47	58
CJLINE-1235-4T	1350	1.66	0.96		0.25	2820	54	62
CJLINE-1640-4T	1380	2.92	1.69		0.55	4450	59	76
CJLINE/H-1650-4T IE3	1440	5.41	3.11		1.50	9860	72	118
CJLINE-1845-4T IE3	1455	4.07	2.34		1.10	6290	63	87
CJLINE-1845-6T	900	2.24	1.30		0.37	4280	55	81
CJLINE/H-1856-4T IE3	1440	10.70	6.15		3.00	13590	78	170
CJLINE-1856-6T IE3	940	3.36	1.93		0.75	8100	60	135
CJLINE/H-2063-4T IE3	1465		10.30	5.97	5.50	22010	81	260
CJLINE-2063-6T IE3	940	3.36	1.93		0.75	9860	63	188
CJLINE-2271-6T IE3	950	6.43	3.70		1.50	13600	67	209
CJLINE-2880-6T IE3	970	12.00	6.91		3.00	22400	69	275



## Erp. (Energy Related Products)

Information on Directive 2009/125/EC can be downloaded from the SODECA website or the QuickFan selector programme.

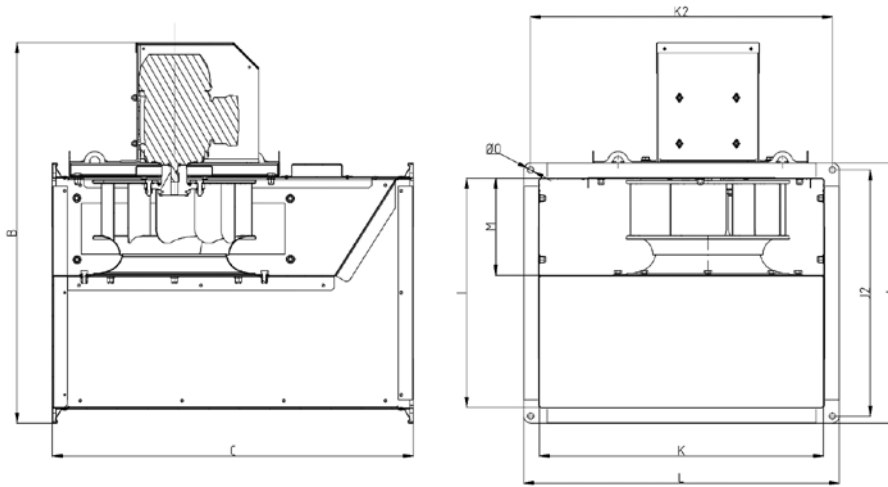
### Acoustic characteristics

The indicated values are determined by measuring the sound pressure level and sound power in dB(A) obtained in a free field at a distance equivalent to twice the size of the fan plus the impeller diameter, with a minimum of 1.5 m.

Sound power spectrum Lw(A) in dB(A) per Hz frequency band

	63	125	250	500	1000	2000	4000	8000		63	125	250	500	1000	2000	4000	8000
CJLINE-1131-4T	42	51	57	56	60	60	52	46	CJLINE/H-1856-4T	69	77	91	87	90	90	85	71
CJLINE-1235-4T	49	58	64	63	67	66	59	53	CJLINE-1856-6T	58	64	69	70	73	72	65	60
CJLINE-1640-4T	56	62	67	68	71	73	65	59	CJLINE/H-2063-4T	81	86	93	94	93	90	83	75
CJLINE/H-1650-4T	64	74	82	84	83	85	76	66	CJLINE-2063-6T	60	66	72	72	76	76	68	61
CJLINE-1845-4T	60	66	71	72	75	77	69	63	CJLINE-2271-6T	64	70	76	76	80	80	72	65
CJLINE-1845-6T	52	58	63	64	67	69	61	55	CJLINE-2880-6T	66	72	78	78	82	82	74	67

### Dimensions mm

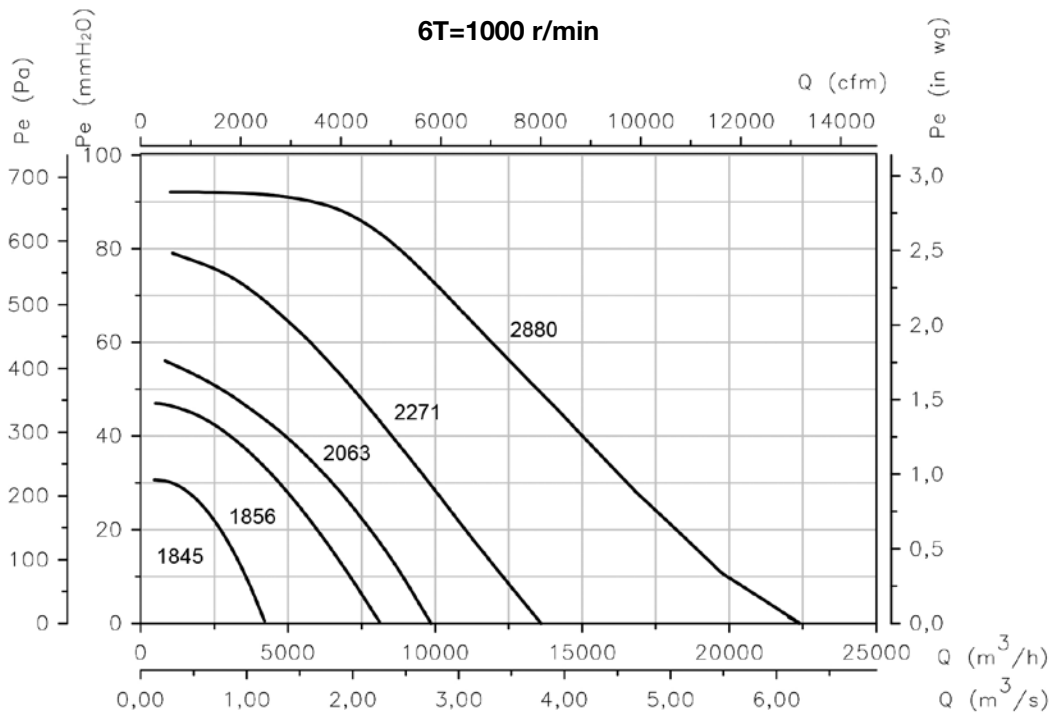
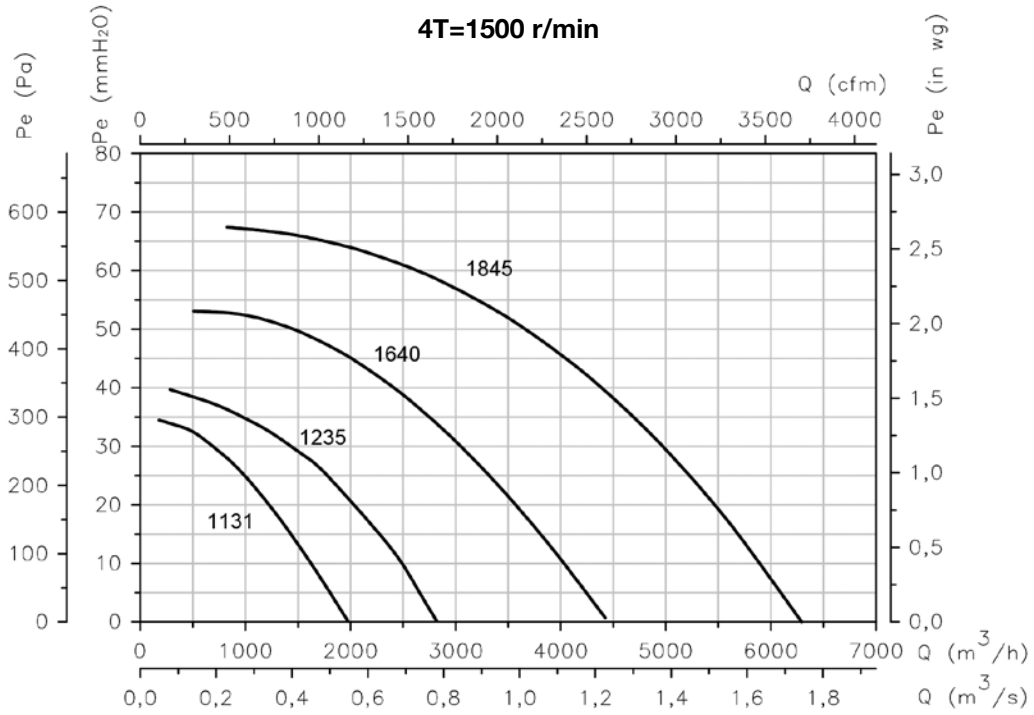


	B	C	I	J	J2	K	K2	L	M	ØO
CJLINE-1131	750	710	450	510	483	560	593	620	195	12
CJLINE-1235	797	800	500	560	533	620	653	680	223	12
CJLINE-1640	896	900	560	620	593	711	743	770	245	12
CJLINE/H-1650	1015	1000	630	690	663	800	833	860	338	12
CJLINE-1845	1015	1000	630	690	663	800	833	860	278	12
CJLINE-1856	1185	1250	800	860	833	1000	1033	1060	348	12
CJLINE/H-1856	1220	1250	800	860	833	1000	1033	1060	348	12
CJLINE-2063	1295	1400	900	980	940	1125	1165	1205	410	14
CJLINE/H-2063	1480	1400	900	980	940	1125	1165	1205	410	14
CJLINE-2271	1350	1400	900	980	940	1190	1230	1270	470	14
CJLINE-2880	1580	1500	1000	1080	1040	1250	1290	1330	510	14

### Characteristic curves

Q= Flow rate in m<sup>3</sup>/h, m<sup>3</sup>/s and cfm

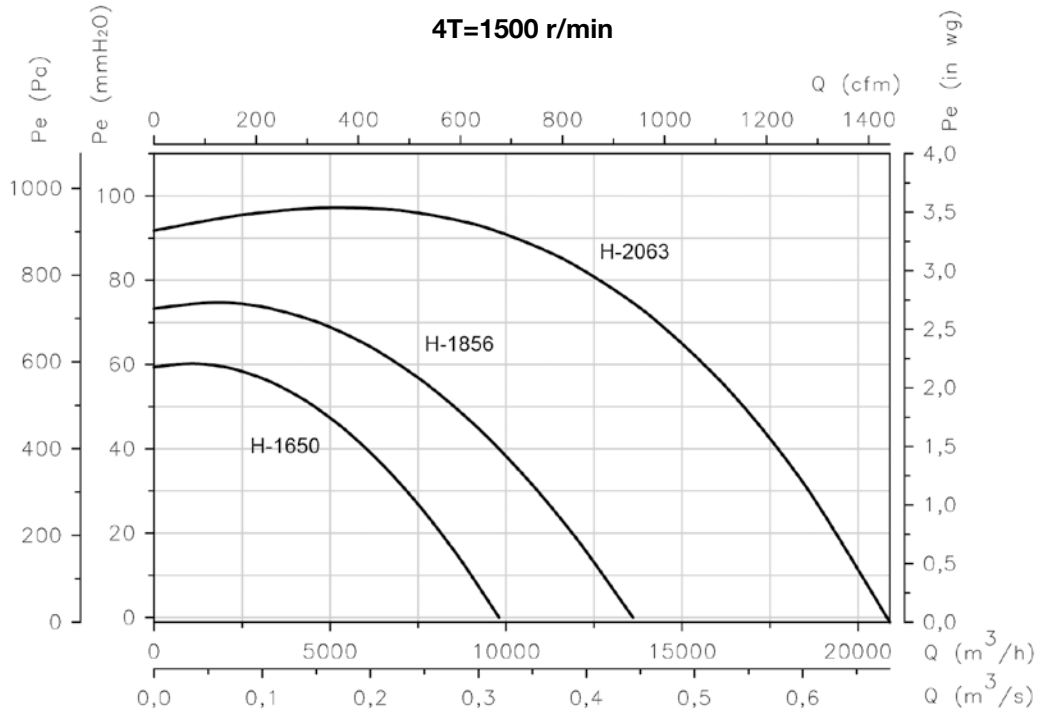
Pe= Static pressure in mm H<sub>2</sub>O, Pa and inwg



## Characteristic curves

Q= Flow rate in m<sup>3</sup>/h, m<sup>3</sup>/s and cfm

Pe= Static pressure in mm H<sub>2</sub>O, Pa and inwg



## Accessories



INT



CABLE BOX



C2V



VSD3/A-RFT  
- VSD1/A-RFM



CENTRAL CO



AET



VIS



TAC