

# KIT SOBREPRESIÓN



**Pressurisation system for stairs or evacuation routes. Maintains a differential pressure of 50 Pa in a single stage, designed according to the European standard EN 12101-6**

## STAIRCASES OVERPRESSURE KIT

For three-phase equipment



## STAIRCASES OVERPRESSURE KIT

• Staircase overpressure kit, consisting of a control panel (BOXPRES KIT) and drive units (CJHCH or CJBD), for pressurizing stairways and evacuation routes. Also available for single phase equipment.

## OVERPRESSURE KIT WITH STANDBY FAN

• Overpressure kit with standby fan comprised of a control panel (BOXPRES KIT II) with a built-in automatic switching system that maintains the overpressure in the event of a failure in the main fan and air impulsion units with a back-up fan.  
• The BOXPRES control panel not only complies with the strictest requirements, it simplifies the work for the installer.

It includes:

- Variable frequency drive programmed at 50 Pa.
- Differential pressure probe.
- Magnetic thermal switch.
- Line and fault LEDs.
- Check button.

## STAIRCASES OVERPRESSURE KIT

For single-phase equipment



BOXPRES is a control box with all its connections made and tested. Ready to operate and perform its function on the control of the installation pressure. Possibility of checking the installation to avoid failures. Only the power line, the supply fan and the fire signal should be connected.

The single-phase panels include:

- Voltage regulator programmed at 50 Pa.
- Differential pressure probe external to the equipment.

## OVERPRESSURE KIT WITH STANDBY FAN



- Easy to install.
- A compact, autonomous solution.
- Preventive maintenance.
- Easy start-up.
- Safe, functional installation.



## Order code

**KIT SOBREPRESIÓN**

—

**7100**

KIT SOBREPRESIÓN: Staircases overpressure unit  
KIT SOBREPRESIÓN II: Overpressure unit with standby fan

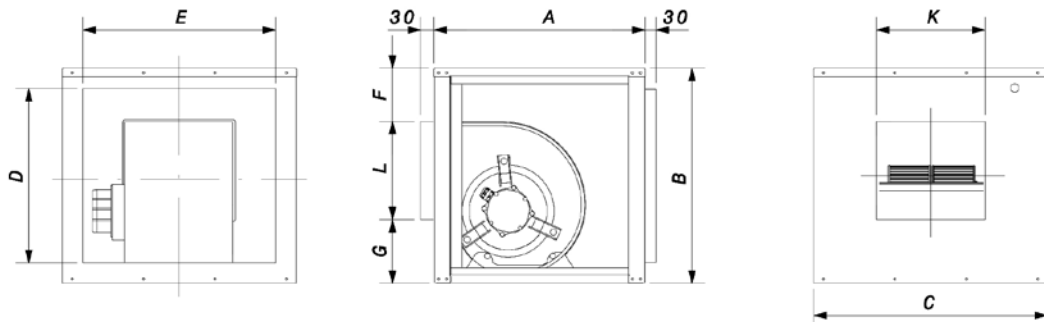
Maximum flow rate  
(m<sup>3</sup>/h)

## Technical characteristics

Model	Power supply	Outlet	Impulsion unit	Flow rate (m <sup>3</sup> /h)	Noise level dB (A)
KIT SOBREPRESION-1400-LED	230 V AC II	230 V AC II	NEOLINEO-250	1400	66
KIT SOBREPRESION-2200-LED	230 V AC II	230 V AC II	NEOLINEO-315	2200	69
KIT SOBREPRESION-2700-LED	230 V AC II	230 V AC II	CJBD-2525-6M 1/3	2700	61
KIT SOBREPRESION-7100-LED	230 V AC II	230 V AC III	CJHCH-45-4T-0.5	7100	55
KIT SOBREPRESION-7800-LED	230 V AC II	230 V AC III	CJBD-3333-6T-1 1/2	7800	55
KIT SOBREPRESION-12900-LED	230 V AC II	230 V AC III	CJHCH-56-4T-1	12900	60
KIT SOBREPRESION-17000-LED	230 V AC II	230 V AC III	CJHCH-63-4T-1.5	17000	61
KIT SOBREPRESION-7100-BOX	400 V AC III	400 V AC III	CJHCH-45-4T-0.5	7100	55
KIT SOBREPRESION-7800-BOX	400 V AC III	400 V AC III	CJBD-3333-6T-1 1/2	7800	55
KIT SOBREPRESION-12900-BOX	400 V AC III	400 V AC III	CJHCH-56-4T-1	12900	60
KIT SOBREPRESION-17000-BOX	400 V AC III	400 V AC III	CJHCH-63-4T-1.5	17000	61
KIT SOBREPRESION II-7800-BOX	400 V AC III	400 V AC III	CJBD/TWO-3333-6T-1.5	7800	75
KIT SOBREPRESION II-11400-BOX	400V AC III	400 V AC III	CJBD/TWO-15/15-6T-3	11400	75
KIT SOBREPRESION II-12900-BOX	400 V AC III	400 V AC III	CJHCH/DUPLEX-56-4T-1-H	12900	60
KIT SOBREPRESION II-17000-BOX	400 V AC III	400 V AC III	CJHCH/DUPLEX-63-4T-1.5-H	17000	61
SI-PRESIÓN TPDA					
SI-PRESIÓN TPDA c/DISPLAY					
BOXPRES KIT-3A 230Vac	230 V AC II	230 V AC II			
BOXPRES KIT-10A 230Vac	230 V AC II	230 V AC II			
BOXPRES KIT-0.37W 230Vac	230 V AC II	230 V AC II			
BOXPRES KIT-0.75KW 230Vac	230 V AC II	230 V AC III			
BOXPRES KIT-1.5KW 230Vac	230 V AC II	230 V AC III			
BOXPRES KIT-2.2KW 230Vac	230 V AC II	230 V AC II			
BOXPRES KIT-0.75KW 400Vac	400 V AC III	400 V AC III			
BOXPRES KIT-1.5KW 400Vac	400 V AC III	400 V AC III			
BOXPRES KIT-2.2KW 400Vac	400 V AC III	400 V AC III			
BOXPRES KIT II - 1.5KW 400Vac	400 V AC III	400 V AC III			
BOXPRES KIT II - 2.2KW 400Vac	400 V AC III	400 V AC III			

## Dimensions mm

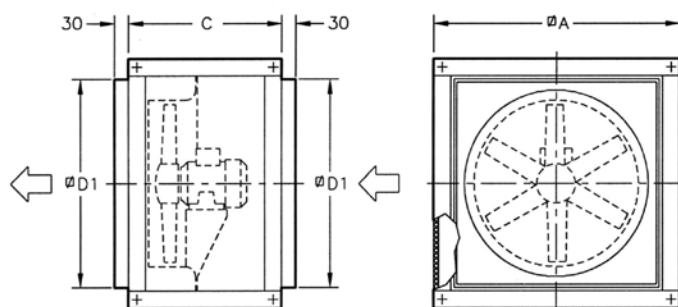
### CJBD



	Equivalence inches	A	B	C	D	E	F	G	K	L
CJBD-2525	9/9	500	522	550	426	454	107	147	303	268
CJBD-3333	12/12	650	650	700	554	604	105	198	392	347

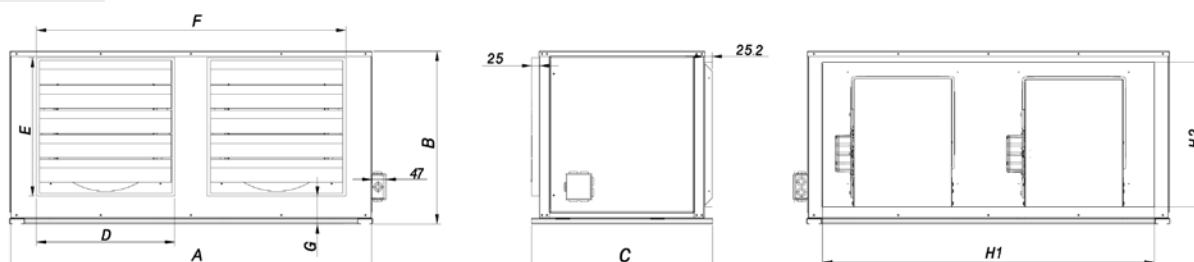
### Dimensions mm

#### CJHCH



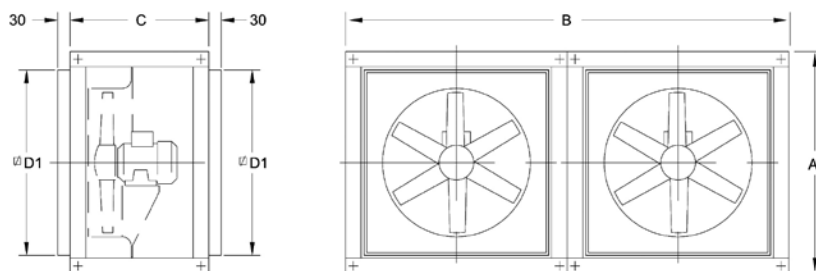
	A	C	D1
CJHCH-45	700	550	565
CJHCH-56/63	825	550	690

#### CJBD/TWO



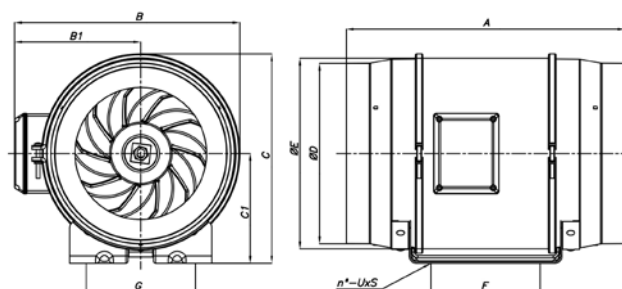
	A	B	C	D	E	F	G	H1	H2
CJBD/TWO-3333	1390	648.5	702.4	460	460	1149.3	156	1294.6	553.6
CJBD/TWO-15/15	1600	754	851.4	545	545	1342.6	186.5	1502.6	658.6

#### CJHCH/DUPLEX



	A	B	C	D1
CJHCH/DUPLEX-56/63	825	1650	550	690

#### NEOLINEO



	A	B	B1	C	C1	ØD	ØE	F	G	n°	UxS
NEOLINEO-250/V	383	310	174	286	150	247	261	150	150	4	8x11
NEOLINEO-315/V	446	386	216	357	187	312	325	181	178	4	8x11

## Technical characteristics and dimensions

### BOXPRESS KIT SOBREPRESIÓN

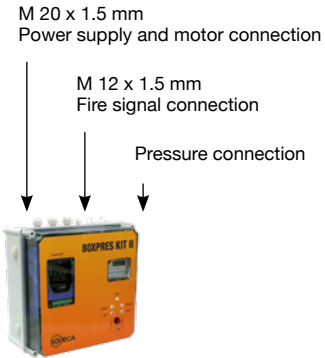
Model	Power (kW)	Power supply (V) (Hz)	Outlet (V)	Max. Output current (A)	Size	Measurements (length x width x depth)
BOXPRES KIT-3A 230Vac	-	230 V AC II	230 V AC II	3.0	-	255 x 170 x 140 mm
BOXPRES KIT-10A 230Vac	-	230 V AC II	230 V AC II	10.0	-	255 x 170 x 140 mm
BOXPRES KIT-0.37W 230Vac	0.37	230 V II / 50 Hz	230 V III / 50 Hz	2.3	1	270 x 270 x 170 mm
BOXPRES KIT-0,75kW 230Vac	0.75	230 V II / 50 Hz	230 V III / 50 Hz	4.3	1	270 x 270 x 170 mm
BOXPRES KIT-1.5kW 230Vac	1.50	230 V II / 50 Hz	230 V III / 50 Hz	7.0	1	270 x 270 x 170 mm
BOXPRES KIT-2.2KW 230Vac	2.20	230 V II / 50 Hz	230 V III / 50 Hz	10.5	2	360 x 360 x 205 mm
BOXPRES KIT-0.75KW 400Vac	0.75	400 V III / 50 Hz	400 V III / 50 Hz	2.2	1	270 x 270 x 170 mm
BOXPRES KIT-1.5KW 400Vac	1.50	400 V III / 50 Hz	400 V III / 50 Hz	4.1	1	270 x 270 x 170 mm
BOXPRES KIT-2.2KW 400Vac	2.20	400 V III / 50 Hz	400 V III / 50 Hz	5.8	2	360 x 360 x 205 mm

### Equipment cable entry gland

#### BOXPRES KIT-3A / KIT-10A



#### BOXPRES KIT Size 1 and 2



### BOXPRESS KIT SOBREPRESIÓN II

For equipment with a reserve fan

Model	Power (kW)	Power supply (V) (Hz)	Outlet (V)	Max. Output current (A)	Size	Measurements (length x width x depth)
BOXPRES KIT II-1.5KW 400Vac	1.5	400 V III / 50 Hz	400 V III / 50 Hz	4.1	1	270 x 270 x 170 mm
BOXPRES KIT II-2.2KW 400Vac	2.2	400 V III / 50 Hz	400 V III / 50 Hz	5.4	2	360 x 360 x 205 mm

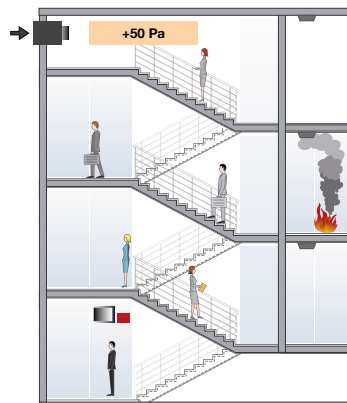
Both motors will never operate simultaneously.

### Equipment cable entry gland

#### BOXPRES KIT Size 1 and 2



## Application example



### Overpressure smoke control method

This system uses pressurisation by injecting air into spaces that are used as evacuation routes in the event of a fire, including stairwells, corridors, passageways, lifts, etc., especially in tall buildings with high occupancy.

The method is based on using air speed and over pressure to create a barrier, preventing smoke from entering evacuation routes.