

# TCR/R

400 °C/2h centrifugal extractor fans with backward curved impeller



Extremely robust, high performance backward-curved impeller

Extremely robust 400 °C/2h centrifugal, single inlet extractor fans for outdoor operation in fire risk zones and fitted with a backward curved impeller.

**Fan:**

- Sheet steel casing.
- Backward curved impeller in very robust sheet steel, with anti-heat paint.
- Approved in accordance with standard EN 12101-3, with certificate no.: 0370-CPR-0400.

**Motor:**

- Class F motors with ball bearings and IP55 protection.
- Motors with IE3 efficiency for powers equal to or greater than 0,75 kW, except single-phase, 2-speed and 8-pole.

- Three-phase 230/400 V 50 Hz (up to 4 kW) and 400/690 V 50 Hz (powers greater than 4 kW).
- Maximum temperature of air to be carried: S1 -20 °C+ 250 °C continuous service. S2 300 °C/2h and 400 °C/2h service.

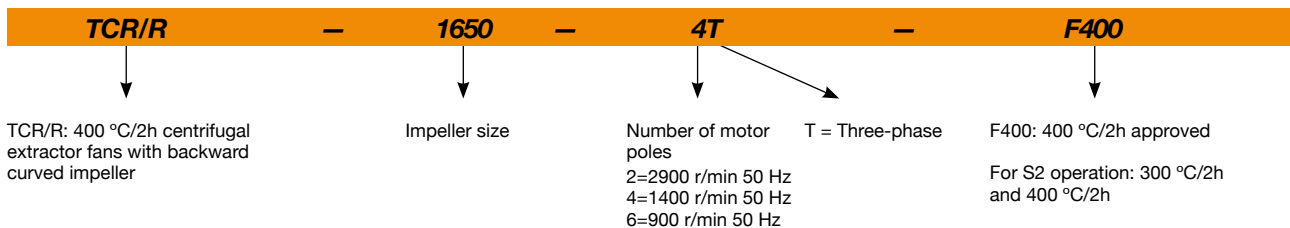
**Finishing:**

- Anti-corrosive finish in polyester resin, polymerised at 190 °C, after degreasing with phosphate-free nanotechnology treatment.

**On request:**

- Fans with 2 speed motor.
- Belt-driven extractor fans.

## Order code



## Technical characteristics

Model	Speed (r/min)	Maximum admissible current (A)			Installed power (kW)	Maximum flow rate (m³/h)	Sound pressure level dB (A)	Approx. weight (Kg)
		230V	400V	690V				
TCR/R-1240-2T IE3	2900	13.00	7.50		4.00	11110	82	102
TCR/R-1240-4T IE3	1420	2.82	1.62		0.75	5830	67	72
TCR/R-1445-2T IE3	2930		14.10	8.17	7.50	16560	85	122
TCR/R-1445-4T IE3	1455	4.07	2.34		1.10	8100	70	97
TCR/R-1650-4T IE3	1440	5.41	3.11		1.50	10600	72	122
TCR/R-1650-6T IE3	940	3.36	1.93		0.75	7450	62	114
TCR/R-1856-4T IE3	1440	10.70	6.15		3.00	15240	78	157
TCR/R-1856-6T IE3	945	4.68	2.69		1.10	10040	70	151
TCR/R-2063-4T IE3	1465		10.30	5.97	5.50	24490	80	248
TCR/R-2063-6T IE3	950	6.43	3.70		1.50	16140	70	213
TCR/R-2271-4T IE3	1470		20.90	12.10	11.00	34760	82	340
TCR/R-2271-6T IE3	970	12.00	6.91		3.00	23000	77	280



## Erp. (Energy Related Products)

Information on Directive 2009/125/EC can be downloaded from the SODECA website or the QuickFan selector programme.

### Acoustic characteristics

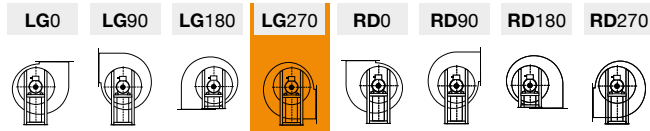
The indicated values are determined by measuring the sound pressure level and sound power in dB(A) obtained in a free field at a distance equivalent to twice the size of the fan plus the impeller diameter, with a minimum of 1.5 m.

Sound power spectrum Lw(A) in dB(A) per Hz frequency band

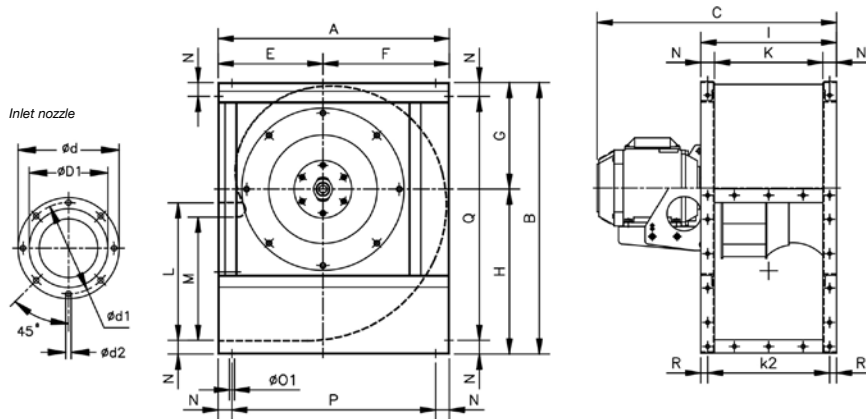
	63	125	250	500	1000	2000	4000	8000		63	125	250	500	1000	2000	4000	8000
TCR/R-1240-2T	68	83	81	93	90	94	96	83	TCR/R-1856-4T	69	78	91	87	90	91	85	71
TCR/R-1240-4T	56	40	76	79	79	80	70	59	TCR/R-1856-6T	61	69	81	83	80	81	71	60
TCR/R-1445-2T	73	85	83	95	93	97	99	89	TCR/R-2063-4T	80	85	91	93	91	88	81	73
TCR/R-1445-4T	59	72	78	83	80	83	78	64	TCR/R-2063-6T	69	70	82	82	81	83	73	63
TCR/R-1650-4T	64	74	82	84	83	85	76	66	TCR/R-2271-4T	79	80	89	92	94	95	91	78
TCR/R-1650-6T	53	65	72	77	73	69	62	54	TCR/R-2271-6T	73	73	87	86	90	90	79	68

### Orientations

Standard supply LG 270



### Dimensions mm

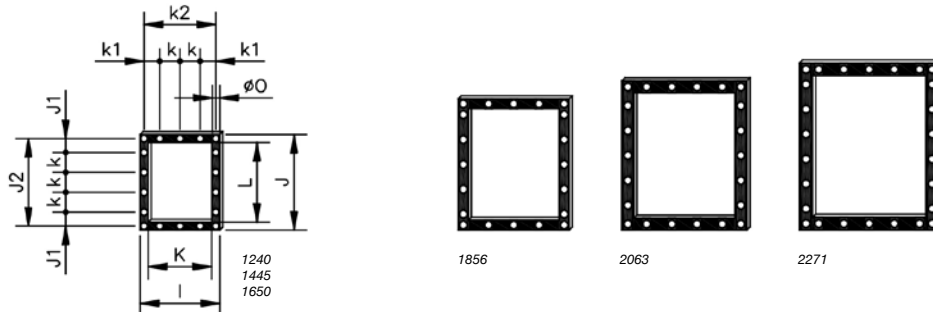


	A	B	C	Ød	Ød1	ØD1*	Ød2	E	F	G	H	M	N	Ø01	P	Q	R
TCR/R-1240-2T	673	790	734	472	444	319	M8	305	368	310	480	358.5	40	11	593	710	20
TCR/R-1240-4T	673	790	634	472	444	319	M8	305	368	310	480	358.5	40	11	593	710	20
TCR/R-1445-2T	765	880	827	524	494	358	M10	350	415	340	540	407	45	11	675	790	20
TCR/R-1445-4T	765	880	699	524	494	358	M10	350	415	340	540	407	45	11	675	790	20
TCR/R-1650-4T	832	970	953	582	555	401	M10	375	457	378	592	446	45	13	742	880	20
TCR/R-1650-6T	832	970	772.5	582	555	401	M10	375	457	378	592	446	45	13	742	880	20
TCR/R-1856-4T	925	1084	880	645	615	457	M10	415	510	426	658	493	50	13	825	984	25
TCR/R-1856-6T	925	1084	825	645	615	457	M10	415	510	426	658	493	50	13	825	984	25
TCR/R-2063-4T	1037	1218	981	720	688	507	M10	465	572	477	741	530	60	13	917	1098	30
TCR/R-2063-6T	1037	1218	932	720	688	507	M10	465	572	477	741	530	60	13	917	1098	30
TCR/R-2271-4T	1173	1375	1197	800	768	575	M10	525	648	538	837	603.5	65	13	1043	1245	32.5
TCR/R-2271-6T	1173	1375	1095	800	768	575	M10	525	648	538	837	603.5	65	13	1043	1245	32.5

\* Recommended nominal tube diameter

## Dimensions mm

### Outlet nozzle



	I	J	J1	J2	K	k	k1	k2	L	Ø0
TCR/R-1240-2T	395	480	70	440	315	100	77.5	355	400	13
TCR/R-1240-4T	395	480	70	440	315	100	77.5	355	400	13
TCR/R-1445-2T	445	540	99	498	355	100	102.5	405	450	11
TCR/R-1445-4T	445	540	99	498	355	100	102.5	405	450	11
TCR/R-1650-4T	490	590	87.5	550	400	125	100	450	500	13
TCR/R-1650-6T	490	590	87.5	550	400	125	100	450	500	13
TCR/R-1856-4T	550	660	55	610	450	125	125	500	560	13
TCR/R-1856-6T	550	660	55	610	450	125	125	500	560	13
TCR/R-2063-4T	620	750	95	690	500	125	92.5	560	630	13
TCR/R-2063-6T	620	750	95	690	500	125	92.5	560	630	13
TCR/R-2271-4T	690	840	75	778	560	125	62.5	625	710	13
TCR/R-2271-6T	690	840	75	778	560	125	62.5	625	710	13

## Accessories



INT



IAT



CABLE BOX



C2V



VSD3/A-RFT  
- VSD1/A-RFM



CENTRAL CO



AET



RPA



B



BD



BIC



VIS



ACE ACE/400



TEJ



S

### Characteristic curves

Q= Flow rate in m<sup>3</sup>/h, m<sup>3</sup>/s and cfm

Pe= Static pressure in mm H<sub>2</sub>O, Pa and in wg

