

HCT/IMP-C

Long-range, circular, one-way or reversible jet fans



Deflector for increasing range

Long range one-way or reversible jet fans with a circular design for air movement and CO extraction in car parks.

Fan:

- One-way or reversible fan unit formed by a fan, silencers, deflectors and supports.
- Adjustable rotors designed to produce great thrusts.
- Anti-contact protective grille pursuant to standard UNE-EN ISO 12499.
- Deflector to increase the air range on the impulsion side. Reversible models are fitted with deflectors on both sides.
- High attenuation silencers with thermal and acoustic insulation.
- Air direction from Motor to Impeller or 100 % reversible.
- Circular casing in painted sheet steel.

Motor:

- Class F motors with ball bearings, IP55 protection and with 1 or 2 speeds, depending on model.
- Three-phase 380-440V. 60Hz.
- Maximum temperature of air to be carried: -20 °C +40 °C.

with phosphate-free nanotechnological treatment.

On request:

Finish:

- Anti-corrosive finish of polyester resin polymerised at 190 °C, previously degreased

- Thrust features different from those indicated.
- Version approved for smoke evacuation in accordance with standard EN 12101-3 (see THT/IMP series).
- INT series safety switch built into the fan.

Order code

| | | | | | | | | | | |
|---|---|--|---|----------------------|---|---|---|-----------------------------------|---|-------------|
| HCT/IMP-C | — | UNI | — | 38 | — | 2/4T | — | 1.5 | — | 60Hz |
| ↓ | | ↓ | | ↓ | | ↓ | | ↓ | | |
| HCT/IMP: Long-range, circular, one-way or reversible jet fans | | Airflow direction UNI: One-way REV: Reversible | | Rotor diameter in cm | | Number of motor poles 2=3500 r/min. 60 Hz 4=1680 r/min. 60 Hz 6=1080 r/min. 60 Hz 8=900 r/min. 60 Hz 12=750 r/min. 60 Hz | | T=Three-phase Motor power (hp) | | |

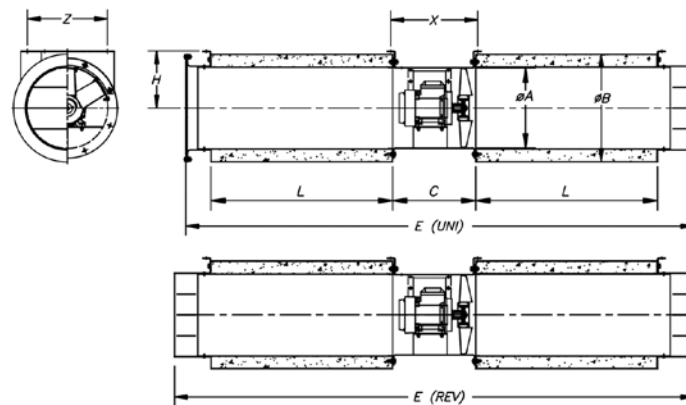
Technical characteristics

60Hz

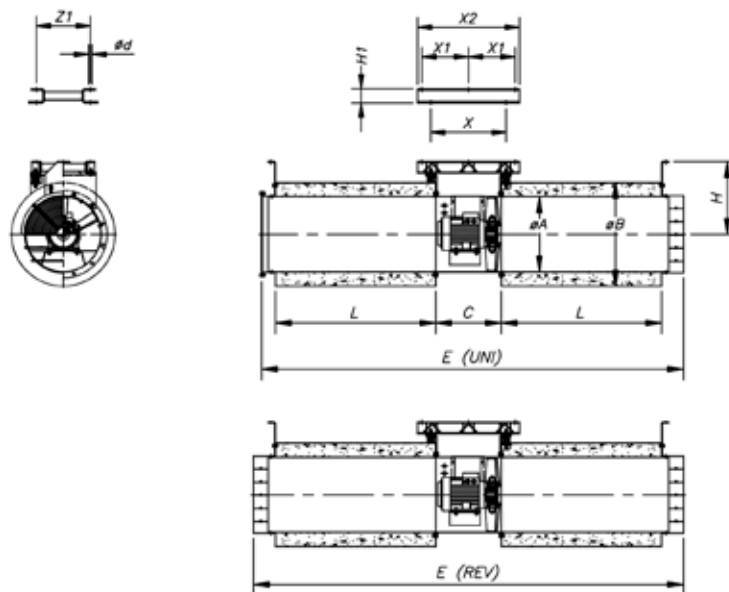
| Model | Speed (r/min) | Maximum current (A) | | Flow rate (m³/h) | Thrust (N) | Speed impulsion (m/s) | Installed power (kW) | Sound pressure LpA at 10m dB(A) | Approx. weight (kg) |
|---------------------------|---------------|---------------------|--------------|------------------|------------|-----------------------|----------------------|---------------------------------|---------------------|
| | | 220-254 V | 380-440 V | | | | | | |
| One-way | | | | | | | | | |
| HCT/IMP-C-UNI-40-4T-0.33 | 1620 | 1.66 | 0.96 | 5150 | 19 | 10.8 | 0.25 | 38 | 88 |
| HCT/IMP-C-UNI-45-4T-0.5 | 1644 | 2.02 | 1.17 | 7100 | 28 | 11.9 | 0.37 | 43 | 120 |
| HCT/IMP-C-UNI-50-4T-0.75 | 1656 | 2.92 | 1.69 | 10300 | 47 | 13.8 | 0.55 | 47 | 186 |
| HCT/IMP-C-UNI-31-2/4T | 3432 / 1716 | | 1.50 / 0.55 | 4260 / 2130 | 21 / 5 | 15.6 / 7.8 | 0.55 / 0.15 | 51 / 36 | 65 |
| HCT/IMP-C-UNI-35-2/4T | 3450 / 1716 | | 2.10 / 0.80 | 6360 / 3180 | 36 / 9 | 17.8 / 8.9 | 0.85 / 0.20 | 52 / 37 | 70 |
| HCT/IMP-C-UNI-38-2/4T-1.5 | 3480 / 1740 | | 2.90 / 1.10 | 8450 / 4225 | 57 / 15 | 20.7 / 10.3 | 1.10 / 0.25 | 47 / 32 | 89 |
| HCT/IMP-C-UNI-40-2/4T-1.5 | 3480 / 1740 | | 2.90 / 1.10 | 9250 / 4625 | 60 / 15 | 20.4 / 10.2 | 1.10 / 0.25 | 53 / 38 | 98 |
| HCT/IMP-C-UNI-45-2/4T-2 | 3528 / 1752 | | 4.40 / 1.40 | 10800 / 5400 | 62 / 15 | 18.1 / 9.0 | 1.50 / 0.37 | 57 / 42 | 132 |
| HCT/IMP-C-UNI-45-2/4T-3 | 3516 / 1740 | | 5.70 / 1.80 | 13200 / 6600 | 92 / 23 | 22.1 / 11.0 | 2.20 / 0.60 | 58 / 43 | 133 |
| HCT/IMP-C-UNI-50-2/4T-6 | 3516 / 1740 | | 10.00 / 3.20 | 19700 / 9850 | 165 / 41 | 26.4 / 13.2 | 4.50 / 1.30 | 60 / 45 | 220 |
| Reversible | | | | | | | | | |
| HCT/IMP-C-REV-40-4T-0.33 | 1620 | 1.66 | 0.96 | 4895 | 17 | 10.3 | 0.25 | 37 | 90 |
| HCT/IMP-C-REV-45-4T-0.5 | 1644 | 2.02 | 1.17 | 6745 | 25 | 11.3 | 0.37 | 42 | 120 |
| HCT/IMP-C-REV-50-4T-0.75 | 1656 | 2.92 | 1.69 | 9785 | 43 | 13.1 | 0.55 | 46 | 233 |
| HCT/IMP-C-REV-31-2/4T | 3432 / 1716 | | 1.50 / 0.55 | 3840 / 1920 | 17 / 4 | 14.1 / 7.0 | 0.55 / 0.15 | 50 / 35 | 63 |
| HCT/IMP-C-REV-35-2/4T | 3450 / 1716 | | 2.10 / 0.80 | 5940 / 2970 | 31 / 8 | 16.7 / 8.3 | 0.85 / 0.20 | 51 / 36 | 70 |
| HCT/IMP-C-REV-38-2/4T-2 | 3528 / 1752 | | 4.40 / 1.40 | 8200 / 4100 | 54 / 14 | 20.1 / 10.0 | 1.50 / 0.37 | 49 / 34 | 91 |
| HCT/IMP-C-REV-40-2/4T-2 | 3528 / 1752 | | 4.40 / 1.40 | 9250 / 4625 | 60 / 15 | 20.4 / 10.2 | 1.50 / 0.37 | 52 / 37 | 100 |
| HCT/IMP-C-REV-45-2/4T-2 | 3528 / 1752 | | 4.40 / 1.40 | 10300 / 5150 | 56 / 14 | 17.2 / 8.6 | 1.50 / 0.37 | 56 / 41 | 131 |
| HCT/IMP-C-REV-45-2/4T-3 | 3516 / 1740 | | 5.70 / 1.80 | 12800 / 6400 | 87 / 22 | 21.4 / 10.7 | 2.20 / 0.60 | 57 / 42 | 133 |
| HCT/IMP-C-REV-50-2/4T-6 | 3516 / 1740 | | 10.00 / 3.20 | 19000 / 9500 | 153 / 38 | 25.4 / 12.7 | 4.50 / 1.30 | 60 / 45 | 267 |

Dimensions mm

C: Circular casing



| Model | ØA | ØB | C | L | Ød | E (UNI) | E (REV) | H | X | Z |
|--------------|-----|-----|-----|------|----|---------|---------|-----|-----|-----|
| HCT/IMP-C-31 | 315 | 415 | 320 | 700 | 10 | 1956 | 2000 | 220 | 345 | 275 |
| HCT/IMP-C-35 | 355 | 460 | 325 | 700 | 12 | 1960 | 2005 | 250 | 346 | 300 |
| HCT/IMP-C-38 | 380 | 415 | 340 | 1000 | 12 | 2570 | 2620 | 225 | 530 | 517 |
| HCT/IMP-C-40 | 410 | 510 | 340 | 950 | 12 | 2485 | 2540 | 280 | 376 | 340 |
| HCT/IMP-C-45 | 460 | 630 | 360 | 950 | 12 | 2500 | 2554 | 355 | 396 | 440 |



| Model | ØA | ØB | C | L | Ød | E(UNI) | E(REV) | H | H1- | X | X1 | X2 | Z | Z1 |
|--------------|-----|-----|-----|------|----|--------|--------|-----|-----|-----|-----|-----|-----|-----|
| HCT/IMP-C-50 | 514 | 710 | 450 | 1100 | 12 | 2895 | 2950 | 498 | 80 | 518 | 320 | 700 | 380 | 370 |

Accessories



INT

C2V

AET

CENTRAL CO

VSD

P-400